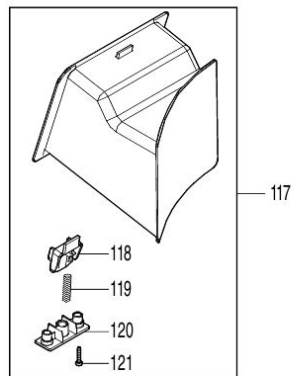
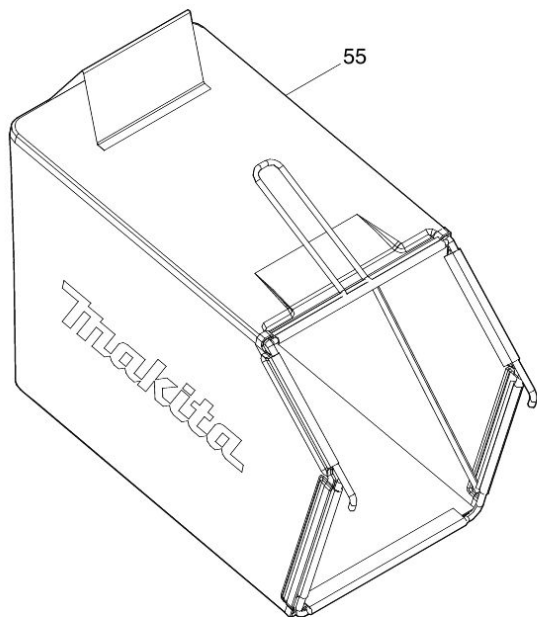
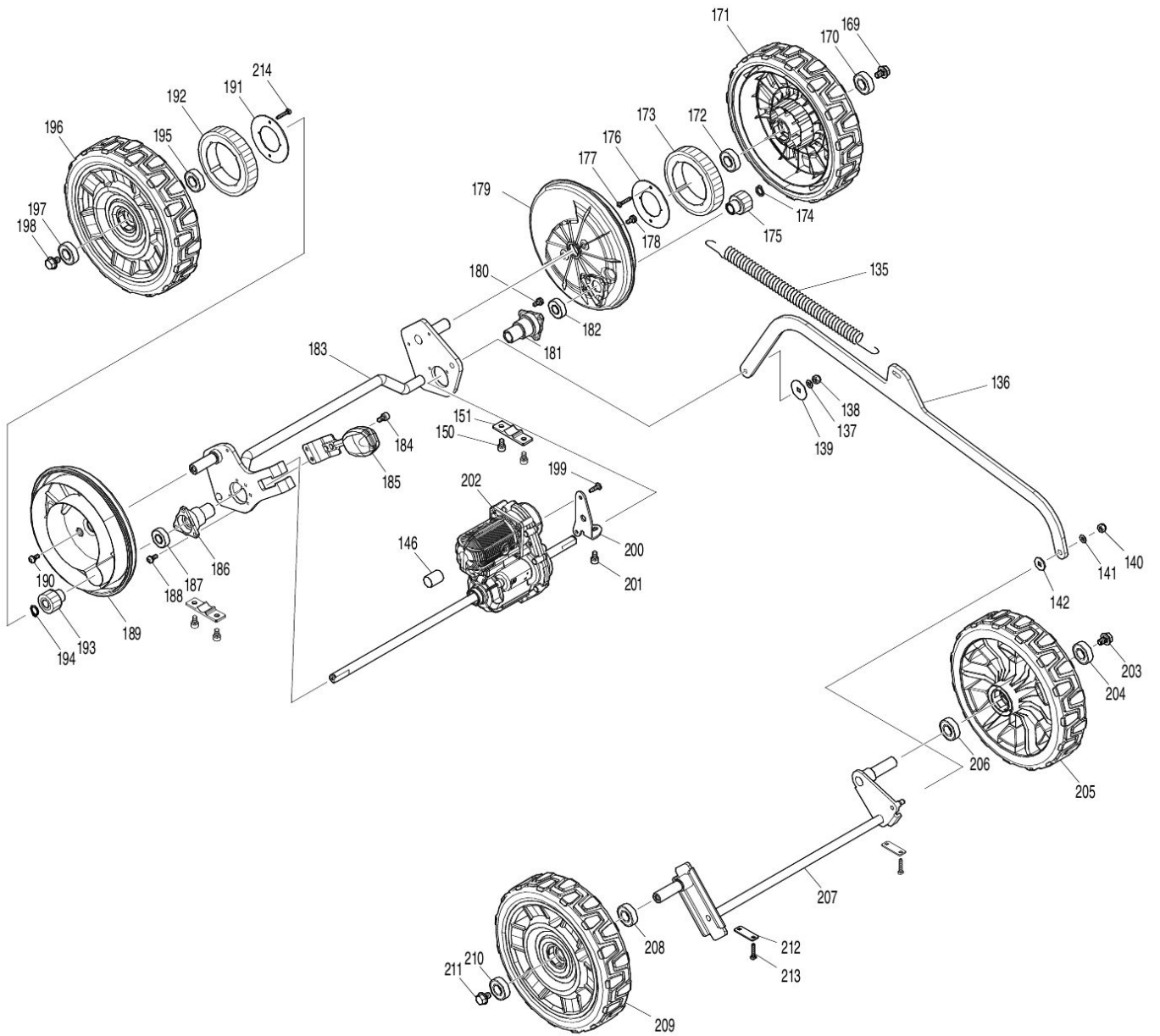


# Partdrawing for DLM462PT4 - Aandrijving



2020/01  
DLM462 4/4

| Nr.    | Part nr. | Name                         |
|--------|----------|------------------------------|
| 001    | 327425-6 | Aandrijfhendel DLM532/533    |
| 002    | 459859-6 | Hendelhouder DLM532/533      |
| 003    | 232566-4 | Torsieveer 12 DLM532/533     |
| 004    | 911138-5 | Schroef 4X20 A               |
| 005    | 459864-3 | Hendelhouder L DLM532/533    |
| 006    | 267136-0 | Ring 5                       |
| 007    | 266424-2 | Tapschroef 4X20 Tm3000C P    |
| 008    | 266424-2 | Tapschroef 4X20 Tm3000C P    |
| 009    | 267136-0 | Ring 5                       |
| 010    | 459858-8 | Hendelhouder R DLM532/533    |
| 011    | 911138-5 | Schroef 4X20 A               |
| 012    | 459859-6 | Hendelhouder DLM532/533      |
| 013    | 266424-2 | Tapschroef 4X20 Tm3000C P    |
| 014    | 183N90-3 | Schakelkast assy DLM532/533  |
| 015    | 140F09-7 | Schakelcircuit A DLM460      |
| 015C10 | 810D46-0 | Label A/U AS1925             |
| 016    | 140F10-2 | Schakelcircuit B DLM460      |
| 016C10 | 818A74-1 | Label aan/uit DLM460         |
| 017    | 232575-3 | Torsieveer 12 DLM532/533     |
| 018    | 266424-2 | Tapschroef 4X20 Tm3000C P    |
| 019    | 687124-5 | Klemstrip 9555Nb/Bo3711 A    |
| 020    | 459860-1 | Schakelkast DLM532/533 P     |
| 021    | 620C48-0 | Circuit indicatie DLM532     |
| 021C10 | 8007C8-5 | Label indicatie A            |
| 022    | 620415-1 | Controlle Unit Dub362        |
| 023    | 651083-9 | Schakelaar C3Xa-1Pspm Dsp600 |
| 024    | 459866-9 | Hendelhouder DLM532/533 P    |
| 025    | 213897-0 | O-ring 26mm DLM532/533       |
| 026    | 183N90-3 | Schakelkast assy DLM532/533  |
| 027    | 266424-2 | Tapschroef 4X20 Tm3000C P    |
| 028    | 459865-1 | Snelheidshendel DLM532/533   |
| 029    | 266424-2 | Tapschroef 4X20 Tm3000C P    |
| 030    | 911138-5 | Schroef 4X20 A               |
| 031    | 459863-5 | Schakelhendelhouder L DLM533 |
| 031C10 | 931102-0 | Zeskantmoer M4 A             |
| 032    | 327424-8 | Schakelhendel DLM532/533     |
| 033    | 459856-2 | Schakelhendelhouder R DLM533 |
| 033C10 | 931102-0 | Zeskantmoer M4 A             |
| 034    | 911138-5 | Schroef 4X20 A               |
| 035    | 183P40-0 | Schakelkastset DLM532/533 P  |
| 035-1  | 183X73-3 | Schakelkastset DLM532/533 A  |
| 035C10 | 8007C6-9 | Label indicatie B            |
| 036    | 459857-0 | A/U schakelknop DLM532/533 P |
| 037    | 231227-3 | Drukveer 15 DLM460           |
| 038    | 632E26-0 | Schakelaar Dur364L           |
| 039    | 687124-5 | Klemstrip 9555Nb/Bo3711 A    |

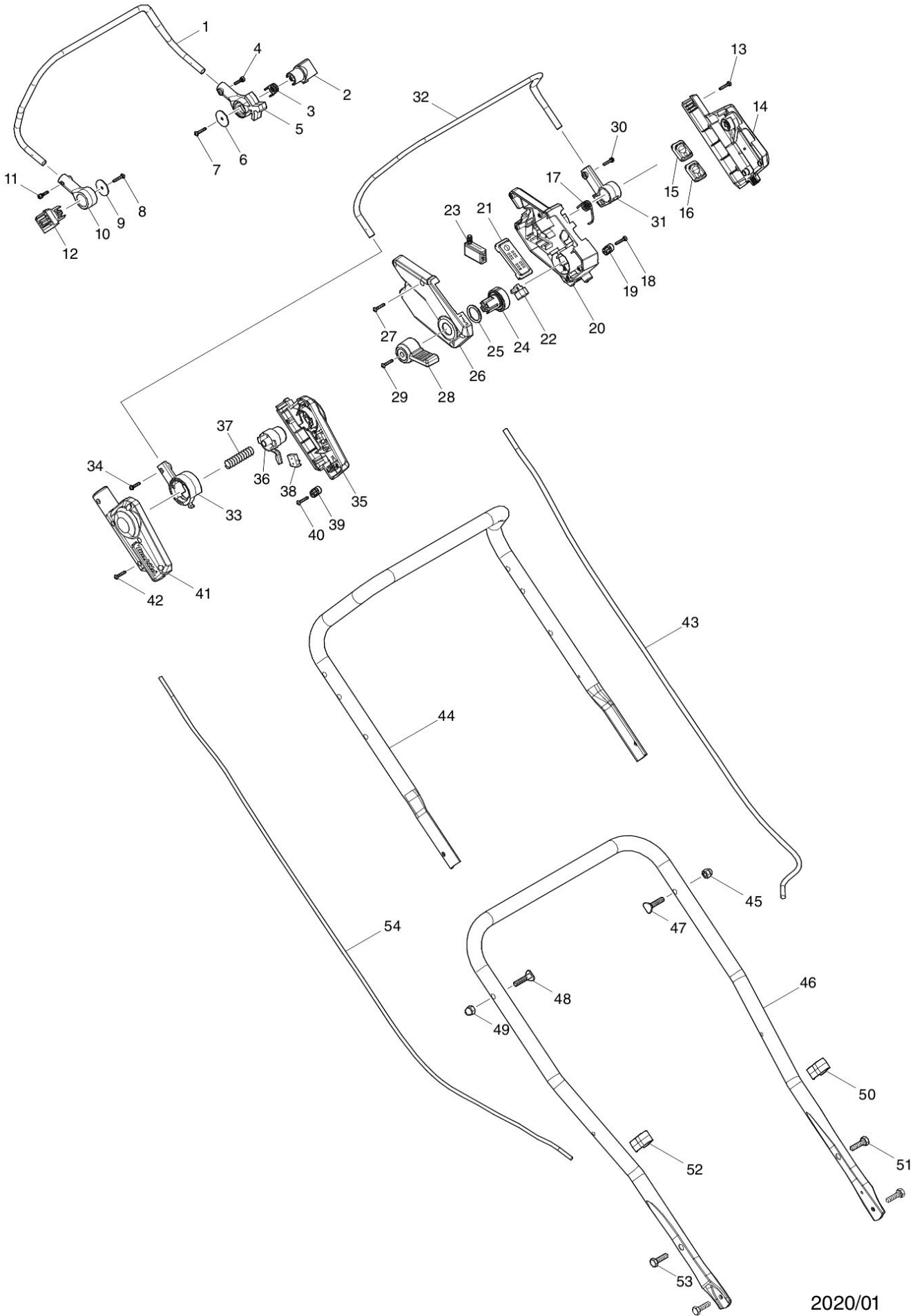
| Nr.    | Part nr. | Name                        |
|--------|----------|-----------------------------|
| 040    | 266424-2 | Tapschroef 4X20 Tm3000C P   |
| 041    | 183P40-0 | Schakelkastset DLM532/533 P |
| 041-1  | 183X73-3 | Schakelkastset DLM532/533 A |
| 041C10 | 8007C6-9 | Label indicatie B           |
| 042    | 266424-2 | Tapschroef 4X20 Tm3000C P   |
| 043    | 699143-9 | Draadboom DLM532/533        |
| 044    | 327421-4 | Duwboom boven DLM532/533    |
| 045    | 252278-3 | Moerkap M8 DLM532/533       |
| 046    | 327423-0 | Duwboom onder DLM462        |
| 047    | 265A62-3 | Slotbout M8x38mm DLM532/533 |
| 048    | 265A62-3 | Slotbout M8x38mm DLM532/533 |
| 049    | 252278-3 | Moerkap M8 DLM532/533       |
| 050    | 459905-5 | Kabelklem DLM532/533        |
| 051    | 921451-3 | Zeskantbout M8X30           |
| 052    | 459905-5 | Kabelklem DLM532/533        |
| 053    | 921451-3 | Zeskantbout M8X30           |
| 054    | 699142-1 | Draadboom A DLM532/533      |
| 055    | 127433-5 | Grasvangbak DLM462 P        |
| 055-1  | 162996-4 | Grasvangbak DLM462 A        |
| 056    | 140S03-7 | Batterykap DLM532/533       |
| 056C10 | 890380-0 | Label Waarsc Am3623         |
| 057    | 961018-5 | Stopring E-5                |
| 058    | 327536-7 | Stang 6mm DLM532/533        |
| 059    | 643535-4 | Veiligheidssleutel DLM460   |
| 060    | 266404-8 | Schroef M3X14               |
| 061    | 459851-2 | Schakelhendel A DLM532/533  |
| 062    | 213896-2 | O-ring 24mm DLM532/533      |
| 063    | 459852-0 | Blokkeerhendel DLM532/533   |
| 064    | 231037-8 | Drukveer 7                  |
| 065    | 266424-2 | Tapschroef 4X20 Tm3000C P   |
| 066    | 459847-3 | Maaidekafdekkap DLM532      |
| 067    | 856P63-8 | Naamplaat DLM462            |
| 068    | 183N78-3 | Batterijhuis DLM462/532     |
| 068C10 | 263005-3 | Rubber Pen 6 AC320H P       |
| 069    | 266424-2 | Tapschroef 4X20 Tm3000C P   |
| 070    | 856P71-9 | Label serienr DLM462        |
| 071    | 644809-6 | Aansluitunit Djr186 A       |
| 072    | 266424-2 | Tapschroef 4X20 Tm3000C P   |
| 073    | 183N78-3 | Batterijhuis DLM462/532     |
| 073C10 | 263005-3 | Rubber Pen 6 AC320H P       |
| 077    | 266424-2 | Tapschroef 4X20 Tm3000C P   |
| 078    | 687124-5 | Klemstrip 9555Nb/Bo3711 A   |
| 079    | 687051-6 | Klemstrip *                 |
| 080    | 266424-2 | Tapschroef 4X20 Tm3000C P   |
| 081    | 687124-5 | Klemstrip 9555Nb/Bo3711 A   |
| 082    | 687051-6 | Klemstrip *                 |

| Nr.    | Part nr. | Name                          |
|--------|----------|-------------------------------|
| 083    | 620C44-8 | Controller DLM462             |
| 084    | 266424-2 | Tapschroef 4X20 Tm3000C P     |
| 085    | 632P74-5 | Draadboom B DLM532/533        |
| 086    | 422529-0 | Buffer B DLM532/533           |
| 087    | 620C47-2 | Controller DLM532/533         |
| 088    | 422528-2 | Buffer A DLM532/533           |
| 089    | 651444-3 | Schakelaar 1703,4703 DLM532   |
| 090    | 699145-5 | Draadboom C DLM532/533        |
| 091    | 266424-2 | Tapschroef 4X20 Tm3000C P     |
| 092    | 687124-5 | Klemstrip 9555Nb/Bo3711 A     |
| 093    | 687051-6 | Klemstrip *                   |
| 094    | 911233-1 | Kruiskopschroef 5X20          |
| 095    | 459848-1 | Onderplaat DLM532/533         |
| 096    | 319869-4 | Motorhuis boven DLM532/533    |
| 097    | 253455-0 | Veerring 19mm DLM532/533      |
| 098    | 210141-6 | Kogellager 6000Ddw Hs0600     |
| 099    | 519606-8 | Motor assy DLM532/533         |
| 100    | 211387-7 | Kogellager 6004Llu P          |
| 101    | 265B29-7 | Parker 2x8mm DLM532/533       |
| 102    | 620B88-2 | Controller B DLM532/533       |
| 103    | 629465-3 | Veld DLM532/533               |
| 104    | 319870-9 | Motorhuis onder DLM532/533    |
| 105    | 911691-1 | Schroef 5X70 *                |
| 106    | 652031-1 | Schroef M3X6                  |
| 107    | 911233-1 | Kruiskopschroef 5X20          |
| 108    | 922441-9 | Inbusbout M8X25 P             |
| 109    | 319867-8 | Motorsteun DLM532/533         |
| 110    | 459853-8 | Motortussenplaat DLM532/533   |
| 111    | 911126-2 | Schroef 4X16                  |
| 112    | 240205-2 | Waaier 170 DLM532/533         |
| 113    | 319882-2 | Cirkelmessteun DLM462         |
| 114    | 266424-2 | Tapschroef 4X20 Tm3000C P     |
| 115A   | 191D51-9 | Maimes 46cm                   |
| 115B   | 191W86-4 | Cirkelmes 460mm DLM465        |
| 116    | 265A69-9 | Maimesbout M8x35mm DLM532 A   |
| 117    | 127515-3 | Mulchplug DLM462              |
| 118    | 459884-7 | Blokkeerknop DLM462/532       |
| 119    | 231401-3 | Drukveer 7 Ls1013             |
| 120    | 459885-5 | Blokkeerknophouder DLM462/532 |
| 121    | 266424-2 | Tapschroef 4X20 Tm3000C P     |
| 123    | 140R95-0 | Uitwerpdeksel DLM462          |
| 123C10 | 8007P8-6 | Label waarschuw               |
| 124    | 265B20-5 | Inbusbout M8 DLM532/533       |
| 125    | 347579-3 | Duwboomsteun L DLM532         |
| 126    | 233597-6 | Torsieveer 6Mm Blm/Am         |
| 127    | 961018-5 | Stopring E-5                  |

| <b>Nr.</b> | <b>Part nr.</b> | <b>Name</b>                  |
|------------|-----------------|------------------------------|
| 128        | 327419-1        | As 6mm DLM462                |
| 129        | 922213-2        | Inbusbout M5X12Mm Ck A       |
| 130        | 459879-0        | Dekselhouder DLM462          |
| 131        | 162693-2        | Achtergreep DLM462           |
| 132        | 347578-5        | Handgreephouder R DLM533     |
| 133        | 451825-9        | Klem Ms245.4                 |
| 134        | 265B20-5        | Inbusbout M8 DLM532/533      |
| 135        | 232628-8        | Veer tbv klep DLM532/533     |
| 136        | 347581-6        | Verbindingsas DLM462         |
| 137        | 941151-9        | Sluitring 6X12Mm A           |
| 138        | 252014-7        | Borgmoer M6                  |
| 139        | 267216-2        | Sluitring 8 Bo3700           |
| 140        | 252014-7        | Borgmoer M6                  |
| 141        | 941151-9        | Sluitring 6X12Mm A           |
| 142        | 253762-1        | Revet 8Mm A                  |
| 143        | 422526-6        | Kabeldoorvoer DLM533         |
| 144        | 922213-2        | Inbusbout M5X12Mm Ck A       |
| 145        | 459880-5        | Kabelbeschermer DLM532       |
| 146        | 683A20-1        | Kabeltule DLM532/533         |
| 147        | 347560-4        | Maaidek DLM462               |
| 148        | 347582-4        | Hoogteplaat DLM532/533       |
| 149        | 265B20-5        | Inbusbout M8 DLM532/533      |
| 150        | 922311-2        | Inusbout M6X12               |
| 151        | 313290-9        | Achterashouderkap DLM532/533 |
| 164        | 922441-9        | Inbusbout M8X25 P            |
| 165        | 459870-8        | Handgreep voor DLM462        |
| 166        | 459873-2        | Afdekkap voor DLM462         |
| 167        | 459874-0        | Onderplaat maaidek DLM462    |
| 168        | 266424-2        | Tapschroef 4X20 Tm3000C P    |
| 169        | 265324-3        | Flensbout M8X12              |
| 170        | 211236-8        | Kogellager 6002Ddw A         |
| 171        | 127513-7        | Achterwiel assy DLM532/533   |
| 172        | 211236-8        | Kogellager 6002Ddw A         |
| 173        | 226941-4        | Tandwiel 49 DLM532/533       |
| 174        | 961052-5        | Borgring S-12                |
| 175        | 226940-6        | Tandwiel 12 DLM532/533       |
| 176        | 347586-6        | Tandwiel houderplt DLM532    |
| 177        | 266424-2        | Tapschroef 4X20 Tm3000C P    |
| 178        | 911213-7        | Schroef M5X12 A              |
| 179        | 459867-7        | Wielkap DLM532/533           |
| 180        | 911213-7        | Schroef M5X12 A              |
| 181        | 313369-6        | Achterashouder R DLM532      |
| 182        | 210163-6        | Kogellager 6001Ddw A         |
| 183        | 162691-6        | Achteras DLM462              |
| 184        | 922311-2        | Inusbout M6X12               |
| 185        | 162694-0        | Hoogteinstelling DLM532/533  |

| <b>Nr.</b> | <b>Part nr.</b> | <b>Name</b>                   |
|------------|-----------------|-------------------------------|
| 186        | 313369-6        | Achterashouder R DLM532       |
| 187        | 210163-6        | Kogellager 6001Ddw A          |
| 188        | 911213-7        | Schroef M5X12 A               |
| 189        | 459867-7        | Wielkap DLM532/533            |
| 190        | 911213-7        | Schroef M5X12 A               |
| 191        | 347586-6        | Tandwiel houderplt DLM532     |
| 192        | 226941-4        | Tandwiel 49 DLM532/533        |
| 193        | 226940-6        | Tandwiel 12 DLM532/533        |
| 194        | 961052-5        | Borgring S-12                 |
| 195        | 211236-8        | Kogellager 6002Ddw A          |
| 196        | 127513-7        | Achterwiel assy DLM532/533    |
| 197        | 211236-8        | Kogellager 6002Ddw A          |
| 198        | 265324-3        | Flensbout M8X12               |
| 199        | 266388-0        | Tapschroef 5X16 Uc30/35/4020A |
| 200        | 347585-8        | Hoogteinstelplt DLM532        |
| 201        | 922311-2        | Inusbout M6X12                |
| 202        | 127509-8        | Aandrijfunit DLM462           |
| 203        | 265324-3        | Flensbout M8X12               |
| 204        | 211236-8        | Kogellager 6002Ddw A          |
| 205        | 127514-5        | Voorwiel assy DLM532/533      |
| 206        | 211236-8        | Kogellager 6002Ddw A          |
| 207        | 162690-8        | Vooras DLM462                 |
| 208        | 211236-8        | Kogellager 6002Ddw A          |
| 209        | 127514-5        | Voorwiel assy DLM532/533      |
| 210        | 211236-8        | Kogellager 6002Ddw A          |
| 211        | 265324-3        | Flensbout M8X12               |
| 212        | 341462-6        | Asborgplaat Jr3000V           |
| 213        | 266424-2        | Tapschroef 4X20 Tm3000C P     |
| 214        | 266424-2        | Tapschroef 4X20 Tm3000C P     |
| 215        | 459875-8        | Afdekkap onder DLM462         |
| 216        | 266424-2        | Tapschroef 4X20 Tm3000C P     |
| 217        | 327879-7        | Grasvangzakbeugel             |

# Partdrawing for DLM462PT4 - Duwboom



2020/01  
DLM462 1/4



| Nr.    | Part nr. | Name                         |
|--------|----------|------------------------------|
| 001    | 327425-6 | Aandrijfhendel DLM532/533    |
| 002    | 459859-6 | Hendelhouder DLM532/533      |
| 003    | 232566-4 | Torsieveer 12 DLM532/533     |
| 004    | 911138-5 | Schroef 4X20 A               |
| 005    | 459864-3 | Hendelhouder L DLM532/533    |
| 006    | 267136-0 | Ring 5                       |
| 007    | 266424-2 | Tapschroef 4X20 Tm3000C P    |
| 008    | 266424-2 | Tapschroef 4X20 Tm3000C P    |
| 009    | 267136-0 | Ring 5                       |
| 010    | 459858-8 | Hendelhouder R DLM532/533    |
| 011    | 911138-5 | Schroef 4X20 A               |
| 012    | 459859-6 | Hendelhouder DLM532/533      |
| 013    | 266424-2 | Tapschroef 4X20 Tm3000C P    |
| 014    | 183N90-3 | Schakelkast assy DLM532/533  |
| 015    | 140F09-7 | Schakelcircuit A DLM460      |
| 015C10 | 810D46-0 | Label A/U AS1925             |
| 016    | 140F10-2 | Schakelcircuit B DLM460      |
| 016C10 | 818A74-1 | Label aan/uit DLM460         |
| 017    | 232575-3 | Torsieveer 12 DLM532/533     |
| 018    | 266424-2 | Tapschroef 4X20 Tm3000C P    |
| 019    | 687124-5 | Klemstrip 9555Nb/Bo3711 A    |
| 020    | 459860-1 | Schakelkast DLM532/533 P     |
| 021    | 620C48-0 | Circuit indicatie DLM532     |
| 021C10 | 8007C8-5 | Label indicatie A            |
| 022    | 620415-1 | Controle Unit Dub362         |
| 023    | 651083-9 | Schakelaar C3Xa-1Pspm Dsp600 |
| 024    | 459866-9 | Hendelhouder DLM532/533 P    |
| 025    | 213897-0 | O-ring 26mm DLM532/533       |
| 026    | 183N90-3 | Schakelkast assy DLM532/533  |
| 027    | 266424-2 | Tapschroef 4X20 Tm3000C P    |
| 028    | 459865-1 | Snelheidshendel DLM532/533   |
| 029    | 266424-2 | Tapschroef 4X20 Tm3000C P    |
| 030    | 911138-5 | Schroef 4X20 A               |
| 031    | 459863-5 | Schakelhendelhouder L DLM533 |
| 031C10 | 931102-0 | Zeskantmoer M4 A             |
| 032    | 327424-8 | Schakelhendel DLM532/533     |
| 033    | 459856-2 | Schakelhendelhouder R DLM533 |
| 033C10 | 931102-0 | Zeskantmoer M4 A             |
| 034    | 911138-5 | Schroef 4X20 A               |
| 035    | 183P40-0 | Schakelkastset DLM532/533 P  |
| 035-1  | 183X73-3 | Schakelkastset DLM532/533 A  |
| 035C10 | 8007C6-9 | Label indicatie B            |
| 036    | 459857-0 | A/U schakelknop DLM532/533 P |
| 037    | 231227-3 | Drukveer 15 DLM460           |
| 038    | 632E26-0 | Schakelaar Dur364L           |
| 039    | 687124-5 | Klemstrip 9555Nb/Bo3711 A    |

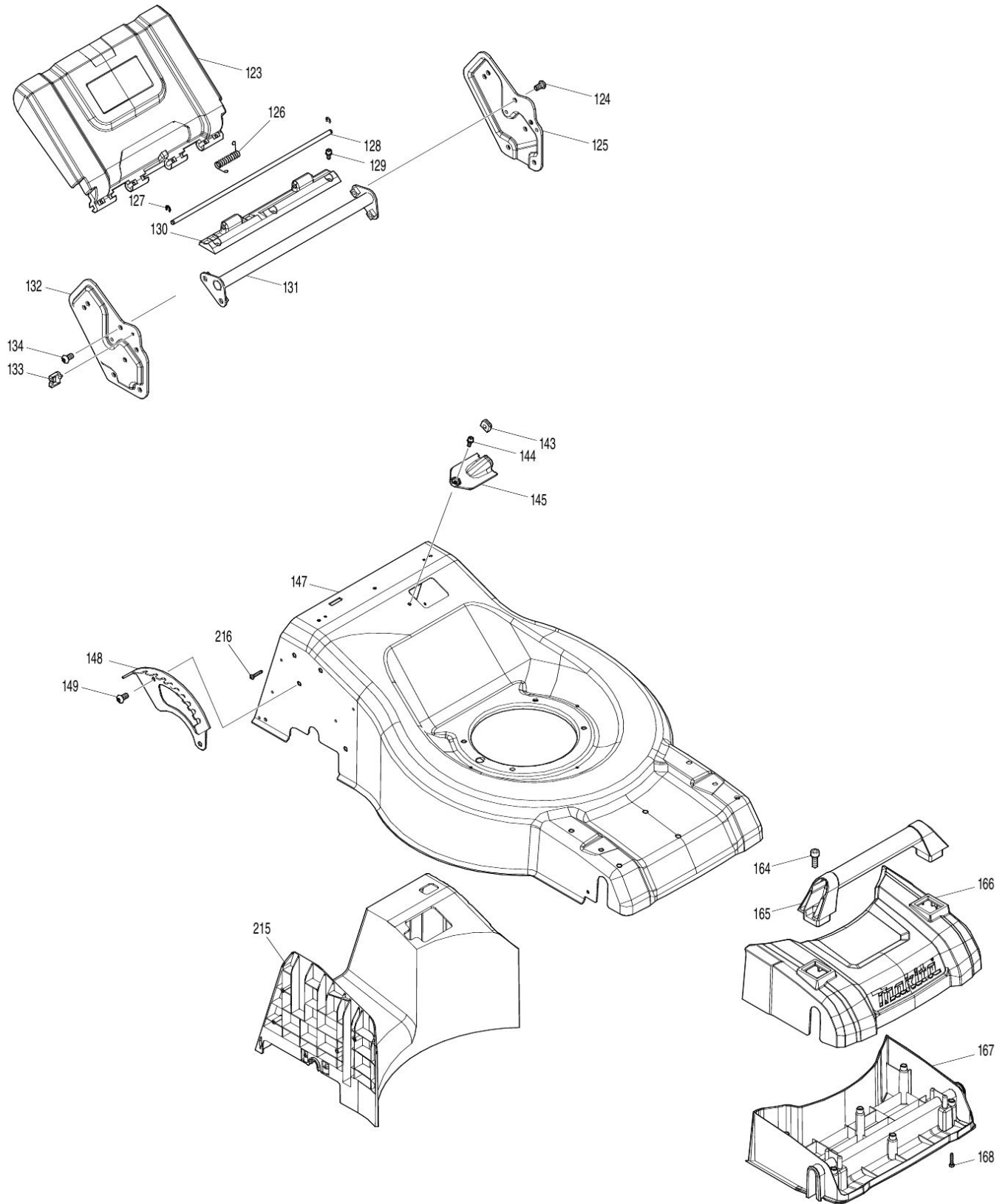


| Nr.    | Part nr. | Name                        |
|--------|----------|-----------------------------|
| 040    | 266424-2 | Tapschroef 4X20 Tm3000C P   |
| 041    | 183P40-0 | Schakelkastset DLM532/533 P |
| 041-1  | 183X73-3 | Schakelkastset DLM532/533 A |
| 041C10 | 8007C6-9 | Label indicatie B           |
| 042    | 266424-2 | Tapschroef 4X20 Tm3000C P   |
| 043    | 699143-9 | Draadboom DLM532/533        |
| 044    | 327421-4 | Duwboom boven DLM532/533    |
| 045    | 252278-3 | Moerkap M8 DLM532/533       |
| 046    | 327423-0 | Duwboom onder DLM462        |
| 047    | 265A62-3 | Slotbout M8x38mm DLM532/533 |
| 048    | 265A62-3 | Slotbout M8x38mm DLM532/533 |
| 049    | 252278-3 | Moerkap M8 DLM532/533       |
| 050    | 459905-5 | Kabelklem DLM532/533        |
| 051    | 921451-3 | Zeskantbout M8X30           |
| 052    | 459905-5 | Kabelklem DLM532/533        |
| 053    | 921451-3 | Zeskantbout M8X30           |
| 054    | 699142-1 | Draadboom A DLM532/533      |
| 055    | 127433-5 | Grasvangbak DLM462 P        |
| 055-1  | 162996-4 | Grasvangbak DLM462 A        |
| 056    | 140S03-7 | Batterykap DLM532/533       |
| 056C10 | 890380-0 | Label Waarsc Am3623         |
| 057    | 961018-5 | Stopring E-5                |
| 058    | 327536-7 | Stang 6mm DLM532/533        |
| 059    | 643535-4 | Veiligheidssleutel DLM460   |
| 060    | 266404-8 | Schroef M3X14               |
| 061    | 459851-2 | Schakelhendel A DLM532/533  |
| 062    | 213896-2 | O-ring 24mm DLM532/533      |
| 063    | 459852-0 | Blokkeerhendel DLM532/533   |
| 064    | 231037-8 | Drukveer 7                  |
| 065    | 266424-2 | Tapschroef 4X20 Tm3000C P   |
| 066    | 459847-3 | Maaidekafdekkap DLM532      |
| 067    | 856P63-8 | Naamplaat DLM462            |
| 068    | 183N78-3 | Batterijhuis DLM462/532     |
| 068C10 | 263005-3 | Rubber Pen 6 AC320H P       |
| 069    | 266424-2 | Tapschroef 4X20 Tm3000C P   |
| 070    | 856P71-9 | Label serienr DLM462        |
| 071    | 644809-6 | Aansluitunit Djr186 A       |
| 072    | 266424-2 | Tapschroef 4X20 Tm3000C P   |
| 073    | 183N78-3 | Batterijhuis DLM462/532     |
| 073C10 | 263005-3 | Rubber Pen 6 AC320H P       |
| 077    | 266424-2 | Tapschroef 4X20 Tm3000C P   |
| 078    | 687124-5 | Klemstrip 9555Nb/Bo3711 A   |
| 079    | 687051-6 | Klemstrip *                 |
| 080    | 266424-2 | Tapschroef 4X20 Tm3000C P   |
| 081    | 687124-5 | Klemstrip 9555Nb/Bo3711 A   |
| 082    | 687051-6 | Klemstrip *                 |

| Nr.    | Part nr. | Name                          |
|--------|----------|-------------------------------|
| 083    | 620C44-8 | Controller DLM462             |
| 084    | 266424-2 | Tapschroef 4X20 Tm3000C P     |
| 085    | 632P74-5 | Draadboom B DLM532/533        |
| 086    | 422529-0 | Buffer B DLM532/533           |
| 087    | 620C47-2 | Controller DLM532/533         |
| 088    | 422528-2 | Buffer A DLM532/533           |
| 089    | 651444-3 | Schakelaar 1703,4703 DLM532   |
| 090    | 699145-5 | Draadboom C DLM532/533        |
| 091    | 266424-2 | Tapschroef 4X20 Tm3000C P     |
| 092    | 687124-5 | Klemstrip 9555Nb/Bo3711 A     |
| 093    | 687051-6 | Klemstrip *                   |
| 094    | 911233-1 | Kruiskopschroef 5X20          |
| 095    | 459848-1 | Onderplaat DLM532/533         |
| 096    | 319869-4 | Motorhuis boven DLM532/533    |
| 097    | 253455-0 | Veerring 19mm DLM532/533      |
| 098    | 210141-6 | Kogellager 6000Ddw Hs0600     |
| 099    | 519606-8 | Motor assy DLM532/533         |
| 100    | 211387-7 | Kogellager 6004Llu P          |
| 101    | 265B29-7 | Parker 2x8mm DLM532/533       |
| 102    | 620B88-2 | Controller B DLM532/533       |
| 103    | 629465-3 | Veld DLM532/533               |
| 104    | 319870-9 | Motorhuis onder DLM532/533    |
| 105    | 911691-1 | Schroef 5X70 *                |
| 106    | 652031-1 | Schroef M3X6                  |
| 107    | 911233-1 | Kruiskopschroef 5X20          |
| 108    | 922441-9 | Inbusbout M8X25 P             |
| 109    | 319867-8 | Motorsteun DLM532/533         |
| 110    | 459853-8 | Motortussenplaat DLM532/533   |
| 111    | 911126-2 | Schroef 4X16                  |
| 112    | 240205-2 | Waaier 170 DLM532/533         |
| 113    | 319882-2 | Cirkelmessteun DLM462         |
| 114    | 266424-2 | Tapschroef 4X20 Tm3000C P     |
| 115A   | 191D51-9 | Maimes 46cm                   |
| 115B   | 191W86-4 | Cirkelmes 460mm DLM465        |
| 116    | 265A69-9 | Maimesbout M8x35mm DLM532 A   |
| 117    | 127515-3 | Mulchplug DLM462              |
| 118    | 459884-7 | Blokkeerknop DLM462/532       |
| 119    | 231401-3 | Drukveer 7 Ls1013             |
| 120    | 459885-5 | Blokkeerknophouder DLM462/532 |
| 121    | 266424-2 | Tapschroef 4X20 Tm3000C P     |
| 123    | 140R95-0 | Uitwerpdeksel DLM462          |
| 123C10 | 8007P8-6 | Label waarschuw               |
| 124    | 265B20-5 | Inbusbout M8 DLM532/533       |
| 125    | 347579-3 | Duwboomsteun L DLM532         |
| 126    | 233597-6 | Torsieveer 6Mm Blm/Am         |
| 127    | 961018-5 | Stopring E-5                  |

| Nr. | Part nr. | Name                         |
|-----|----------|------------------------------|
| 128 | 327419-1 | As 6mm DLM462                |
| 129 | 922213-2 | Inbusbout M5X12Mm Ck A       |
| 130 | 459879-0 | Dekselhouder DLM462          |
| 131 | 162693-2 | Achtergreep DLM462           |
| 132 | 347578-5 | Handgreephouder R DLM533     |
| 133 | 451825-9 | Klem Ms245.4                 |
| 134 | 265B20-5 | Inbusbout M8 DLM532/533      |
| 135 | 232628-8 | Veer tbv klep DLM532/533     |
| 136 | 347581-6 | Verbindingsas DLM462         |
| 137 | 941151-9 | Sluitring 6X12Mm A           |
| 138 | 252014-7 | Borgmoer M6                  |
| 139 | 267216-2 | Sluitring 8 Bo3700           |
| 140 | 252014-7 | Borgmoer M6                  |
| 141 | 941151-9 | Sluitring 6X12Mm A           |
| 142 | 253762-1 | Revet 8Mm A                  |
| 143 | 422526-6 | Kabeldoorvoer DLM533         |
| 144 | 922213-2 | Inbusbout M5X12Mm Ck A       |
| 145 | 459880-5 | Kabelbeschermer DLM532       |
| 146 | 683A20-1 | Kabeltule DLM532/533         |
| 147 | 347560-4 | Maaidek DLM462               |
| 148 | 347582-4 | Hoogteplaat DLM532/533       |
| 149 | 265B20-5 | Inbusbout M8 DLM532/533      |
| 150 | 922311-2 | Inusbout M6X12               |
| 151 | 313290-9 | Achterashouderkap DLM532/533 |
| 164 | 922441-9 | Inbusbout M8X25 P            |
| 165 | 459870-8 | Handgreep voor DLM462        |
| 166 | 459873-2 | Afdekkap voor DLM462         |
| 167 | 459874-0 | Onderplaat maaidek DLM462    |
| 168 | 266424-2 | Tapschroef 4X20 Tm3000C P    |
| 169 | 265324-3 | Flensbout M8X12              |
| 170 | 211236-8 | Kogellager 6002Ddw A         |
| 171 | 127513-7 | Achterwiel assy DLM532/533   |
| 172 | 211236-8 | Kogellager 6002Ddw A         |
| 173 | 226941-4 | Tandwiel 49 DLM532/533       |
| 174 | 961052-5 | Borgring S-12                |
| 175 | 226940-6 | Tandwiel 12 DLM532/533       |
| 176 | 347586-6 | Tandwiel houderplt DLM532    |
| 177 | 266424-2 | Tapschroef 4X20 Tm3000C P    |
| 178 | 911213-7 | Schroef M5X12 A              |
| 179 | 459867-7 | Wielkap DLM532/533           |
| 180 | 911213-7 | Schroef M5X12 A              |
| 181 | 313369-6 | Achterashouder R DLM532      |
| 182 | 210163-6 | Kogellager 6001Ddw A         |
| 183 | 162691-6 | Achteras DLM462              |
| 184 | 922311-2 | Inusbout M6X12               |
| 185 | 162694-0 | Hoogteinstelling DLM532/533  |

| Nr. | Part nr. | Name                          |
|-----|----------|-------------------------------|
| 186 | 313369-6 | Achterashouder R DLM532       |
| 187 | 210163-6 | Kogellager 6001Ddw A          |
| 188 | 911213-7 | Schroef M5X12 A               |
| 189 | 459867-7 | Wielkap DLM532/533            |
| 190 | 911213-7 | Schroef M5X12 A               |
| 191 | 347586-6 | Tandwiel houderplt DLM532     |
| 192 | 226941-4 | Tandwiel 49 DLM532/533        |
| 193 | 226940-6 | Tandwiel 12 DLM532/533        |
| 194 | 961052-5 | Borgring S-12                 |
| 195 | 211236-8 | Kogellager 6002Ddw A          |
| 196 | 127513-7 | Achterwiel assy DLM532/533    |
| 197 | 211236-8 | Kogellager 6002Ddw A          |
| 198 | 265324-3 | Flensbout M8X12               |
| 199 | 266388-0 | Tapschroef 5X16 Uc30/35/4020A |
| 200 | 347585-8 | Hoogteinstelplt DLM532        |
| 201 | 922311-2 | Inusbout M6X12                |
| 202 | 127509-8 | Aandrijfunit DLM462           |
| 203 | 265324-3 | Flensbout M8X12               |
| 204 | 211236-8 | Kogellager 6002Ddw A          |
| 205 | 127514-5 | Voorwiel assy DLM532/533      |
| 206 | 211236-8 | Kogellager 6002Ddw A          |
| 207 | 162690-8 | Vooras DLM462                 |
| 208 | 211236-8 | Kogellager 6002Ddw A          |
| 209 | 127514-5 | Voorwiel assy DLM532/533      |
| 210 | 211236-8 | Kogellager 6002Ddw A          |
| 211 | 265324-3 | Flensbout M8X12               |
| 212 | 341462-6 | Asborgplaat Jr3000V           |
| 213 | 266424-2 | Tapschroef 4X20 Tm3000C P     |
| 214 | 266424-2 | Tapschroef 4X20 Tm3000C P     |
| 215 | 459875-8 | Afdekkap onder DLM462         |
| 216 | 266424-2 | Tapschroef 4X20 Tm3000C P     |
| 217 | 327879-7 | Grasvangzakbeugel             |



2020/01  
DLM462 3/4

| Nr.    | Part nr. | Name                         |
|--------|----------|------------------------------|
| 001    | 327425-6 | Aandrijfhendel DLM532/533    |
| 002    | 459859-6 | Hendelhouder DLM532/533      |
| 003    | 232566-4 | Torsiebeer 12 DLM532/533     |
| 004    | 911138-5 | Schroef 4X20 A               |
| 005    | 459864-3 | Hendelhouder L DLM532/533    |
| 006    | 267136-0 | Ring 5                       |
| 007    | 266424-2 | Tapschroef 4X20 Tm3000C P    |
| 008    | 266424-2 | Tapschroef 4X20 Tm3000C P    |
| 009    | 267136-0 | Ring 5                       |
| 010    | 459858-8 | Hendelhouder R DLM532/533    |
| 011    | 911138-5 | Schroef 4X20 A               |
| 012    | 459859-6 | Hendelhouder DLM532/533      |
| 013    | 266424-2 | Tapschroef 4X20 Tm3000C P    |
| 014    | 183N90-3 | Schakelkast assy DLM532/533  |
| 015    | 140F09-7 | Schakelcircuit A DLM460      |
| 015C10 | 810D46-0 | Label A/U AS1925             |
| 016    | 140F10-2 | Schakelcircuit B DLM460      |
| 016C10 | 818A74-1 | Label aan/uit DLM460         |
| 017    | 232575-3 | Torsiebeer 12 DLM532/533     |
| 018    | 266424-2 | Tapschroef 4X20 Tm3000C P    |
| 019    | 687124-5 | Klemstrip 9555Nb/Bo3711 A    |
| 020    | 459860-1 | Schakelkast DLM532/533 P     |
| 021    | 620C48-0 | Circuit indicatie DLM532     |
| 021C10 | 8007C8-5 | Label indicatie A            |
| 022    | 620415-1 | Controle Unit Dub362         |
| 023    | 651083-9 | Schakelaar C3Xa-1Pspm Dsp600 |
| 024    | 459866-9 | Hendelhouder DLM532/533 P    |
| 025    | 213897-0 | O-ring 26mm DLM532/533       |
| 026    | 183N90-3 | Schakelkast assy DLM532/533  |
| 027    | 266424-2 | Tapschroef 4X20 Tm3000C P    |
| 028    | 459865-1 | Snelheidshendel DLM532/533   |
| 029    | 266424-2 | Tapschroef 4X20 Tm3000C P    |
| 030    | 911138-5 | Schroef 4X20 A               |
| 031    | 459863-5 | Schakelhendelhouder L DLM533 |
| 031C10 | 931102-0 | Zeskantmoer M4 A             |
| 032    | 327424-8 | Schakelhendel DLM532/533     |
| 033    | 459856-2 | Schakelhendelhouder R DLM533 |
| 033C10 | 931102-0 | Zeskantmoer M4 A             |
| 034    | 911138-5 | Schroef 4X20 A               |
| 035    | 183P40-0 | Schakelkastset DLM532/533 P  |
| 035-1  | 183X73-3 | Schakelkastset DLM532/533 A  |
| 035C10 | 8007C6-9 | Label indicatie B            |
| 036    | 459857-0 | A/U schakelknop DLM532/533 P |
| 037    | 231227-3 | Drukveer 15 DLM460           |
| 038    | 632E26-0 | Schakelaar Dur364L           |
| 039    | 687124-5 | Klemstrip 9555Nb/Bo3711 A    |

| Nr.    | Part nr. | Name                        |
|--------|----------|-----------------------------|
| 040    | 266424-2 | Tapschroef 4X20 Tm3000C P   |
| 041    | 183P40-0 | Schakelkastset DLM532/533 P |
| 041-1  | 183X73-3 | Schakelkastset DLM532/533 A |
| 041C10 | 8007C6-9 | Label indicatie B           |
| 042    | 266424-2 | Tapschroef 4X20 Tm3000C P   |
| 043    | 699143-9 | Draadboom DLM532/533        |
| 044    | 327421-4 | Duwboom boven DLM532/533    |
| 045    | 252278-3 | Moerkap M8 DLM532/533       |
| 046    | 327423-0 | Duwboom onder DLM462        |
| 047    | 265A62-3 | Slotbout M8x38mm DLM532/533 |
| 048    | 265A62-3 | Slotbout M8x38mm DLM532/533 |
| 049    | 252278-3 | Moerkap M8 DLM532/533       |
| 050    | 459905-5 | Kabelklem DLM532/533        |
| 051    | 921451-3 | Zeskantbout M8X30           |
| 052    | 459905-5 | Kabelklem DLM532/533        |
| 053    | 921451-3 | Zeskantbout M8X30           |
| 054    | 699142-1 | Draadboom A DLM532/533      |
| 055    | 127433-5 | Grasvangbak DLM462 P        |
| 055-1  | 162996-4 | Grasvangbak DLM462 A        |
| 056    | 140S03-7 | Batterykap DLM532/533       |
| 056C10 | 890380-0 | Label Waarsc Am3623         |
| 057    | 961018-5 | Stopring E-5                |
| 058    | 327536-7 | Stang 6mm DLM532/533        |
| 059    | 643535-4 | Veiligheidssleutel DLM460   |
| 060    | 266404-8 | Schroef M3X14               |
| 061    | 459851-2 | Schakelhendel A DLM532/533  |
| 062    | 213896-2 | O-ring 24mm DLM532/533      |
| 063    | 459852-0 | Blokkeerhendel DLM532/533   |
| 064    | 231037-8 | Drukveer 7                  |
| 065    | 266424-2 | Tapschroef 4X20 Tm3000C P   |
| 066    | 459847-3 | Maaidekafdekkap DLM532      |
| 067    | 856P63-8 | Naamplaat DLM462            |
| 068    | 183N78-3 | Batterijhuis DLM462/532     |
| 068C10 | 263005-3 | Rubber Pen 6 AC320H P       |
| 069    | 266424-2 | Tapschroef 4X20 Tm3000C P   |
| 070    | 856P71-9 | Label serienr DLM462        |
| 071    | 644809-6 | Aansluitunit Djr186 A       |
| 072    | 266424-2 | Tapschroef 4X20 Tm3000C P   |
| 073    | 183N78-3 | Batterijhuis DLM462/532     |
| 073C10 | 263005-3 | Rubber Pen 6 AC320H P       |
| 077    | 266424-2 | Tapschroef 4X20 Tm3000C P   |
| 078    | 687124-5 | Klemstrip 9555Nb/Bo3711 A   |
| 079    | 687051-6 | Klemstrip *                 |
| 080    | 266424-2 | Tapschroef 4X20 Tm3000C P   |
| 081    | 687124-5 | Klemstrip 9555Nb/Bo3711 A   |
| 082    | 687051-6 | Klemstrip *                 |

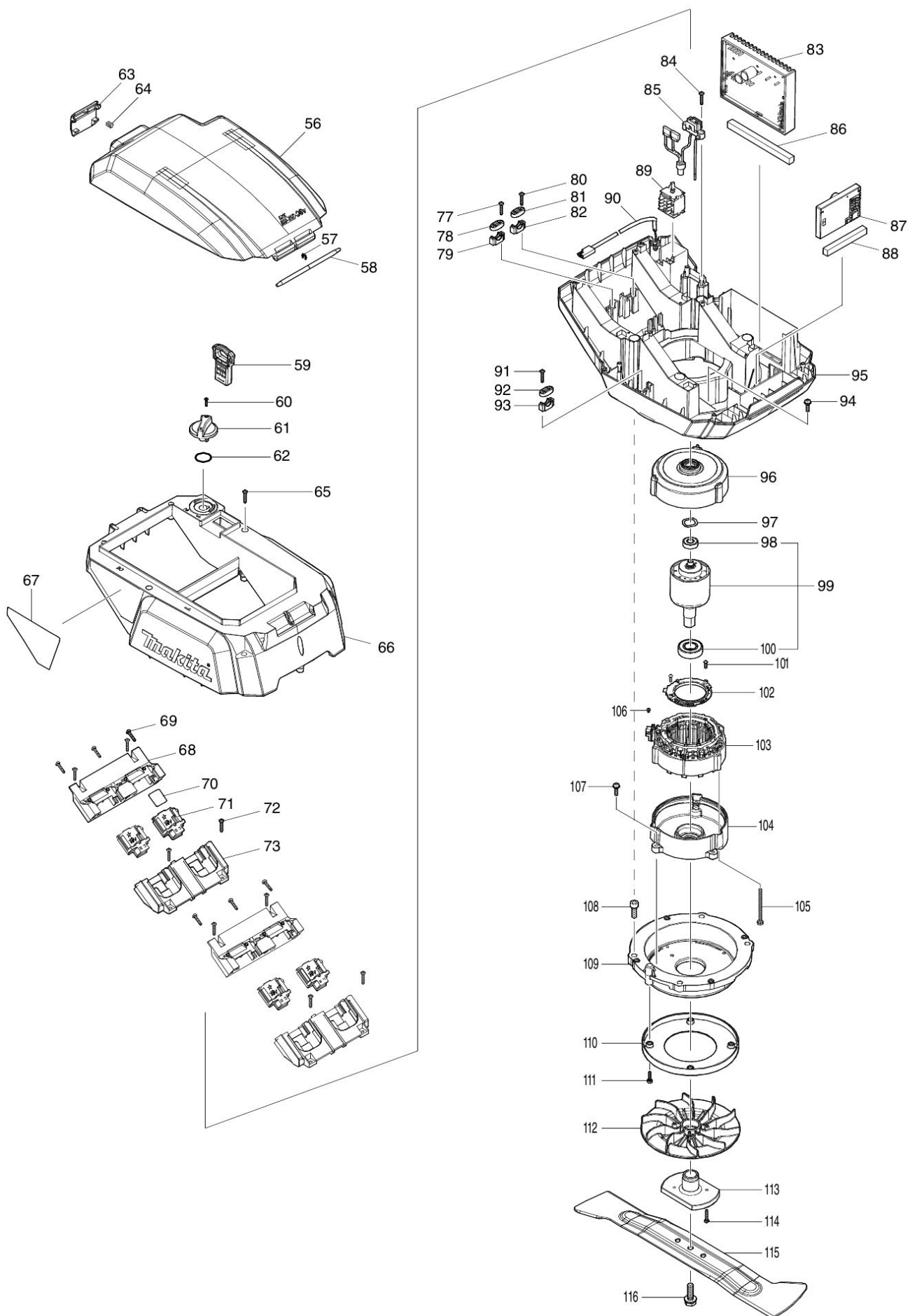


| Nr.    | Part nr. | Name                          |
|--------|----------|-------------------------------|
| 083    | 620C44-8 | Controller DLM462             |
| 084    | 266424-2 | Tapschroef 4X20 Tm3000C P     |
| 085    | 632P74-5 | Draadboom B DLM532/533        |
| 086    | 422529-0 | Buffer B DLM532/533           |
| 087    | 620C47-2 | Controller DLM532/533         |
| 088    | 422528-2 | Buffer A DLM532/533           |
| 089    | 651444-3 | Schakelaar 1703,4703 DLM532   |
| 090    | 699145-5 | Draadboom C DLM532/533        |
| 091    | 266424-2 | Tapschroef 4X20 Tm3000C P     |
| 092    | 687124-5 | Klemstrip 9555Nb/Bo3711 A     |
| 093    | 687051-6 | Klemstrip *                   |
| 094    | 911233-1 | Kruiskopschroef 5X20          |
| 095    | 459848-1 | Onderplaat DLM532/533         |
| 096    | 319869-4 | Motorhuis boven DLM532/533    |
| 097    | 253455-0 | Veerring 19mm DLM532/533      |
| 098    | 210141-6 | Kogellager 6000Ddw Hs0600     |
| 099    | 519606-8 | Motor assy DLM532/533         |
| 100    | 211387-7 | Kogellager 6004Llu P          |
| 101    | 265B29-7 | Parker 2x8mm DLM532/533       |
| 102    | 620B88-2 | Controller B DLM532/533       |
| 103    | 629465-3 | Veld DLM532/533               |
| 104    | 319870-9 | Motorhuis onder DLM532/533    |
| 105    | 911691-1 | Schroef 5X70 *                |
| 106    | 652031-1 | Schroef M3X6                  |
| 107    | 911233-1 | Kruiskopschroef 5X20          |
| 108    | 922441-9 | Inbusbout M8X25 P             |
| 109    | 319867-8 | Motorsteun DLM532/533         |
| 110    | 459853-8 | Motortussenplaat DLM532/533   |
| 111    | 911126-2 | Schroef 4X16                  |
| 112    | 240205-2 | Waaier 170 DLM532/533         |
| 113    | 319882-2 | Cirkelmessteun DLM462         |
| 114    | 266424-2 | Tapschroef 4X20 Tm3000C P     |
| 115A   | 191D51-9 | Maimes 46cm                   |
| 115B   | 191W86-4 | Cirkelmes 460mm DLM465        |
| 116    | 265A69-9 | Maimesbout M8x35mm DLM532 A   |
| 117    | 127515-3 | Mulchplug DLM462              |
| 118    | 459884-7 | Blokkeerknop DLM462/532       |
| 119    | 231401-3 | Drukveer 7 Ls1013             |
| 120    | 459885-5 | Blokkeerknophouder DLM462/532 |
| 121    | 266424-2 | Tapschroef 4X20 Tm3000C P     |
| 123    | 140R95-0 | Uitwerpdeksel DLM462          |
| 123C10 | 8007P8-6 | Label waarschuw               |
| 124    | 265B20-5 | Inbusbout M8 DLM532/533       |
| 125    | 347579-3 | Duwboomsteun L DLM532         |
| 126    | 233597-6 | Torsieveer 6Mm Blm/Am         |
| 127    | 961018-5 | Stopring E-5                  |

| Nr. | Part nr. | Name                         |
|-----|----------|------------------------------|
| 128 | 327419-1 | As 6mm DLM462                |
| 129 | 922213-2 | Inbusbout M5X12Mm Ck A       |
| 130 | 459879-0 | Dekselhouder DLM462          |
| 131 | 162693-2 | Achtergreep DLM462           |
| 132 | 347578-5 | Handgreephouder R DLM533     |
| 133 | 451825-9 | Klem Ms245.4                 |
| 134 | 265B20-5 | Inbusbout M8 DLM532/533      |
| 135 | 232628-8 | Veer tbv klep DLM532/533     |
| 136 | 347581-6 | Verbindingsas DLM462         |
| 137 | 941151-9 | Sluitring 6X12Mm A           |
| 138 | 252014-7 | Borgmoer M6                  |
| 139 | 267216-2 | Sluitring 8 Bo3700           |
| 140 | 252014-7 | Borgmoer M6                  |
| 141 | 941151-9 | Sluitring 6X12Mm A           |
| 142 | 253762-1 | Revet 8Mm A                  |
| 143 | 422526-6 | Kabeldoorvoer DLM533         |
| 144 | 922213-2 | Inbusbout M5X12Mm Ck A       |
| 145 | 459880-5 | Kabelbeschermer DLM532       |
| 146 | 683A20-1 | Kabeltule DLM532/533         |
| 147 | 347560-4 | Maaidek DLM462               |
| 148 | 347582-4 | Hoogteplaat DLM532/533       |
| 149 | 265B20-5 | Inbusbout M8 DLM532/533      |
| 150 | 922311-2 | Inusbout M6X12               |
| 151 | 313290-9 | Achterashouderkap DLM532/533 |
| 164 | 922441-9 | Inbusbout M8X25 P            |
| 165 | 459870-8 | Handgreep voor DLM462        |
| 166 | 459873-2 | Afdekkap voor DLM462         |
| 167 | 459874-0 | Onderplaat maaidek DLM462    |
| 168 | 266424-2 | Tapschroef 4X20 Tm3000C P    |
| 169 | 265324-3 | Flensbout M8X12              |
| 170 | 211236-8 | Kogellager 6002Ddw A         |
| 171 | 127513-7 | Achterwiel assy DLM532/533   |
| 172 | 211236-8 | Kogellager 6002Ddw A         |
| 173 | 226941-4 | Tandwiel 49 DLM532/533       |
| 174 | 961052-5 | Borgring S-12                |
| 175 | 226940-6 | Tandwiel 12 DLM532/533       |
| 176 | 347586-6 | Tandwiel houderplt DLM532    |
| 177 | 266424-2 | Tapschroef 4X20 Tm3000C P    |
| 178 | 911213-7 | Schroef M5X12 A              |
| 179 | 459867-7 | Wielkap DLM532/533           |
| 180 | 911213-7 | Schroef M5X12 A              |
| 181 | 313369-6 | Achterashouder R DLM532      |
| 182 | 210163-6 | Kogellager 6001Ddw A         |
| 183 | 162691-6 | Achteras DLM462              |
| 184 | 922311-2 | Inusbout M6X12               |
| 185 | 162694-0 | Hoogteinstelling DLM532/533  |

| Nr. | Part nr. | Name                          |
|-----|----------|-------------------------------|
| 186 | 313369-6 | Achterashouder R DLM532       |
| 187 | 210163-6 | Kogellager 6001Ddw A          |
| 188 | 911213-7 | Schroef M5X12 A               |
| 189 | 459867-7 | Wielkap DLM532/533            |
| 190 | 911213-7 | Schroef M5X12 A               |
| 191 | 347586-6 | Tandwiel houderplt DLM532     |
| 192 | 226941-4 | Tandwiel 49 DLM532/533        |
| 193 | 226940-6 | Tandwiel 12 DLM532/533        |
| 194 | 961052-5 | Borgring S-12                 |
| 195 | 211236-8 | Kogellager 6002Ddw A          |
| 196 | 127513-7 | Achterwiel assy DLM532/533    |
| 197 | 211236-8 | Kogellager 6002Ddw A          |
| 198 | 265324-3 | Flensbout M8X12               |
| 199 | 266388-0 | Tapschroef 5X16 Uc30/35/4020A |
| 200 | 347585-8 | Hoogteinstelplt DLM532        |
| 201 | 922311-2 | Inusbout M6X12                |
| 202 | 127509-8 | Aandrijfunit DLM462           |
| 203 | 265324-3 | Flensbout M8X12               |
| 204 | 211236-8 | Kogellager 6002Ddw A          |
| 205 | 127514-5 | Voorwiel assy DLM532/533      |
| 206 | 211236-8 | Kogellager 6002Ddw A          |
| 207 | 162690-8 | Vooras DLM462                 |
| 208 | 211236-8 | Kogellager 6002Ddw A          |
| 209 | 127514-5 | Voorwiel assy DLM532/533      |
| 210 | 211236-8 | Kogellager 6002Ddw A          |
| 211 | 265324-3 | Flensbout M8X12               |
| 212 | 341462-6 | Asborgplaat Jr3000V           |
| 213 | 266424-2 | Tapschroef 4X20 Tm3000C P     |
| 214 | 266424-2 | Tapschroef 4X20 Tm3000C P     |
| 215 | 459875-8 | Afdekkap onder DLM462         |
| 216 | 266424-2 | Tapschroef 4X20 Tm3000C P     |
| 217 | 327879-7 | Grasvangzakbeugel             |

# Partdrawing for DLM462PT4 - Motorhuis & Motor



2020/01  
DLM462 2/4

| Nr.    | Part nr. | Name                         |
|--------|----------|------------------------------|
| 001    | 327425-6 | Aandrijfhendel DLM532/533    |
| 002    | 459859-6 | Hendelhouder DLM532/533      |
| 003    | 232566-4 | Torsieveer 12 DLM532/533     |
| 004    | 911138-5 | Schroef 4X20 A               |
| 005    | 459864-3 | Hendelhouder L DLM532/533    |
| 006    | 267136-0 | Ring 5                       |
| 007    | 266424-2 | Tapschroef 4X20 Tm3000C P    |
| 008    | 266424-2 | Tapschroef 4X20 Tm3000C P    |
| 009    | 267136-0 | Ring 5                       |
| 010    | 459858-8 | Hendelhouder R DLM532/533    |
| 011    | 911138-5 | Schroef 4X20 A               |
| 012    | 459859-6 | Hendelhouder DLM532/533      |
| 013    | 266424-2 | Tapschroef 4X20 Tm3000C P    |
| 014    | 183N90-3 | Schakelkast assy DLM532/533  |
| 015    | 140F09-7 | Schakelcircuit A DLM460      |
| 015C10 | 810D46-0 | Label A/U AS1925             |
| 016    | 140F10-2 | Schakelcircuit B DLM460      |
| 016C10 | 818A74-1 | Label aan/uit DLM460         |
| 017    | 232575-3 | Torsieveer 12 DLM532/533     |
| 018    | 266424-2 | Tapschroef 4X20 Tm3000C P    |
| 019    | 687124-5 | Klemstrip 9555Nb/Bo3711 A    |
| 020    | 459860-1 | Schakelkast DLM532/533 P     |
| 021    | 620C48-0 | Circuit indicatie DLM532     |
| 021C10 | 8007C8-5 | Label indicatie A            |
| 022    | 620415-1 | Controlle Unit Dub362        |
| 023    | 651083-9 | Schakelaar C3Xa-1Pspm Dsp600 |
| 024    | 459866-9 | Hendelhouder DLM532/533 P    |
| 025    | 213897-0 | O-ring 26mm DLM532/533       |
| 026    | 183N90-3 | Schakelkast assy DLM532/533  |
| 027    | 266424-2 | Tapschroef 4X20 Tm3000C P    |
| 028    | 459865-1 | Snelheidshendel DLM532/533   |
| 029    | 266424-2 | Tapschroef 4X20 Tm3000C P    |
| 030    | 911138-5 | Schroef 4X20 A               |
| 031    | 459863-5 | Schakelhendelhouder L DLM533 |
| 031C10 | 931102-0 | Zeskantmoer M4 A             |
| 032    | 327424-8 | Schakelhendel DLM532/533     |
| 033    | 459856-2 | Schakelhendelhouder R DLM533 |
| 033C10 | 931102-0 | Zeskantmoer M4 A             |
| 034    | 911138-5 | Schroef 4X20 A               |
| 035    | 183P40-0 | Schakelkastset DLM532/533 P  |
| 035-1  | 183X73-3 | Schakelkastset DLM532/533 A  |
| 035C10 | 8007C6-9 | Label indicatie B            |
| 036    | 459857-0 | A/U schakelknop DLM532/533 P |
| 037    | 231227-3 | Drukveer 15 DLM460           |
| 038    | 632E26-0 | Schakelaar Dur364L           |
| 039    | 687124-5 | Klemstrip 9555Nb/Bo3711 A    |

| Nr.    | Part nr. | Name                        |
|--------|----------|-----------------------------|
| 040    | 266424-2 | Tapschroef 4X20 Tm3000C P   |
| 041    | 183P40-0 | Schakelkastset DLM532/533 P |
| 041-1  | 183X73-3 | Schakelkastset DLM532/533 A |
| 041C10 | 8007C6-9 | Label indicatie B           |
| 042    | 266424-2 | Tapschroef 4X20 Tm3000C P   |
| 043    | 699143-9 | Draadboom DLM532/533        |
| 044    | 327421-4 | Duwboom boven DLM532/533    |
| 045    | 252278-3 | Moerkap M8 DLM532/533       |
| 046    | 327423-0 | Duwboom onder DLM462        |
| 047    | 265A62-3 | Slotbout M8x38mm DLM532/533 |
| 048    | 265A62-3 | Slotbout M8x38mm DLM532/533 |
| 049    | 252278-3 | Moerkap M8 DLM532/533       |
| 050    | 459905-5 | Kabelklem DLM532/533        |
| 051    | 921451-3 | Zeskantbout M8X30           |
| 052    | 459905-5 | Kabelklem DLM532/533        |
| 053    | 921451-3 | Zeskantbout M8X30           |
| 054    | 699142-1 | Draadboom A DLM532/533      |
| 055    | 127433-5 | Grasvangbak DLM462 P        |
| 055-1  | 162996-4 | Grasvangbak DLM462 A        |
| 056    | 140S03-7 | Batterykap DLM532/533       |
| 056C10 | 890380-0 | Label Waarsc Am3623         |
| 057    | 961018-5 | Stopring E-5                |
| 058    | 327536-7 | Stang 6mm DLM532/533        |
| 059    | 643535-4 | Veiligheidssleutel DLM460   |
| 060    | 266404-8 | Schroef M3X14               |
| 061    | 459851-2 | Schakelhendel A DLM532/533  |
| 062    | 213896-2 | O-ring 24mm DLM532/533      |
| 063    | 459852-0 | Blokkeerhendel DLM532/533   |
| 064    | 231037-8 | Drukveer 7                  |
| 065    | 266424-2 | Tapschroef 4X20 Tm3000C P   |
| 066    | 459847-3 | Maaidekafdekkap DLM532      |
| 067    | 856P63-8 | Naamplaat DLM462            |
| 068    | 183N78-3 | Batterijhuis DLM462/532     |
| 068C10 | 263005-3 | Rubber Pen 6 AC320H P       |
| 069    | 266424-2 | Tapschroef 4X20 Tm3000C P   |
| 070    | 856P71-9 | Label serienr DLM462        |
| 071    | 644809-6 | Aansluitunit Djr186 A       |
| 072    | 266424-2 | Tapschroef 4X20 Tm3000C P   |
| 073    | 183N78-3 | Batterijhuis DLM462/532     |
| 073C10 | 263005-3 | Rubber Pen 6 AC320H P       |
| 077    | 266424-2 | Tapschroef 4X20 Tm3000C P   |
| 078    | 687124-5 | Klemstrip 9555Nb/Bo3711 A   |
| 079    | 687051-6 | Klemstrip *                 |
| 080    | 266424-2 | Tapschroef 4X20 Tm3000C P   |
| 081    | 687124-5 | Klemstrip 9555Nb/Bo3711 A   |
| 082    | 687051-6 | Klemstrip *                 |

| Nr.    | Part nr. | Name                          |
|--------|----------|-------------------------------|
| 083    | 620C44-8 | Controller DLM462             |
| 084    | 266424-2 | Tapschroef 4X20 Tm3000C P     |
| 085    | 632P74-5 | Draadboom B DLM532/533        |
| 086    | 422529-0 | Buffer B DLM532/533           |
| 087    | 620C47-2 | Controller DLM532/533         |
| 088    | 422528-2 | Buffer A DLM532/533           |
| 089    | 651444-3 | Schakelaar 1703,4703 DLM532   |
| 090    | 699145-5 | Draadboom C DLM532/533        |
| 091    | 266424-2 | Tapschroef 4X20 Tm3000C P     |
| 092    | 687124-5 | Klemstrip 9555Nb/Bo3711 A     |
| 093    | 687051-6 | Klemstrip *                   |
| 094    | 911233-1 | Kruiskopschroef 5X20          |
| 095    | 459848-1 | Onderplaat DLM532/533         |
| 096    | 319869-4 | Motorhuis boven DLM532/533    |
| 097    | 253455-0 | Veerring 19mm DLM532/533      |
| 098    | 210141-6 | Kogellager 6000Ddw Hs0600     |
| 099    | 519606-8 | Motor assy DLM532/533         |
| 100    | 211387-7 | Kogellager 6004Llu P          |
| 101    | 265B29-7 | Parker 2x8mm DLM532/533       |
| 102    | 620B88-2 | Controller B DLM532/533       |
| 103    | 629465-3 | Veld DLM532/533               |
| 104    | 319870-9 | Motorhuis onder DLM532/533    |
| 105    | 911691-1 | Schroef 5X70 *                |
| 106    | 652031-1 | Schroef M3X6                  |
| 107    | 911233-1 | Kruiskopschroef 5X20          |
| 108    | 922441-9 | Inbusbout M8X25 P             |
| 109    | 319867-8 | Motorsteun DLM532/533         |
| 110    | 459853-8 | Motortussenplaat DLM532/533   |
| 111    | 911126-2 | Schroef 4X16                  |
| 112    | 240205-2 | Waaier 170 DLM532/533         |
| 113    | 319882-2 | Cirkelmessteun DLM462         |
| 114    | 266424-2 | Tapschroef 4X20 Tm3000C P     |
| 115A   | 191D51-9 | Maimes 46cm                   |
| 115B   | 191W86-4 | Cirkelmes 460mm DLM465        |
| 116    | 265A69-9 | Maimesbout M8x35mm DLM532 A   |
| 117    | 127515-3 | Mulchplug DLM462              |
| 118    | 459884-7 | Blokkeerknop DLM462/532       |
| 119    | 231401-3 | Drukveer 7 Ls1013             |
| 120    | 459885-5 | Blokkeerknophouder DLM462/532 |
| 121    | 266424-2 | Tapschroef 4X20 Tm3000C P     |
| 123    | 140R95-0 | Uitwerpdeksel DLM462          |
| 123C10 | 8007P8-6 | Label waarschuw               |
| 124    | 265B20-5 | Inbusbout M8 DLM532/533       |
| 125    | 347579-3 | Duwboomsteun L DLM532         |
| 126    | 233597-6 | Torsieveer 6Mm Blm/Am         |
| 127    | 961018-5 | Stopring E-5                  |



| Nr. | Part nr. | Name                         |
|-----|----------|------------------------------|
| 128 | 327419-1 | As 6mm DLM462                |
| 129 | 922213-2 | Inbusbout M5X12Mm Ck A       |
| 130 | 459879-0 | Dekselhouder DLM462          |
| 131 | 162693-2 | Achtergreep DLM462           |
| 132 | 347578-5 | Handgreephouder R DLM533     |
| 133 | 451825-9 | Klem Ms245.4                 |
| 134 | 265B20-5 | Inbusbout M8 DLM532/533      |
| 135 | 232628-8 | Veer tbv klep DLM532/533     |
| 136 | 347581-6 | Verbindingsas DLM462         |
| 137 | 941151-9 | Sluitring 6X12Mm A           |
| 138 | 252014-7 | Borgmoer M6                  |
| 139 | 267216-2 | Sluitring 8 Bo3700           |
| 140 | 252014-7 | Borgmoer M6                  |
| 141 | 941151-9 | Sluitring 6X12Mm A           |
| 142 | 253762-1 | Revet 8Mm A                  |
| 143 | 422526-6 | Kabeldoorvoer DLM533         |
| 144 | 922213-2 | Inbusbout M5X12Mm Ck A       |
| 145 | 459880-5 | Kabelbeschermer DLM532       |
| 146 | 683A20-1 | Kabeltule DLM532/533         |
| 147 | 347560-4 | Maaidek DLM462               |
| 148 | 347582-4 | Hoogteplaat DLM532/533       |
| 149 | 265B20-5 | Inbusbout M8 DLM532/533      |
| 150 | 922311-2 | Inusbout M6X12               |
| 151 | 313290-9 | Achterashouderkap DLM532/533 |
| 164 | 922441-9 | Inbusbout M8X25 P            |
| 165 | 459870-8 | Handgreep voor DLM462        |
| 166 | 459873-2 | Afdekkap voor DLM462         |
| 167 | 459874-0 | Onderplaat maaidek DLM462    |
| 168 | 266424-2 | Tapschroef 4X20 Tm3000C P    |
| 169 | 265324-3 | Flensbout M8X12              |
| 170 | 211236-8 | Kogellager 6002Ddw A         |
| 171 | 127513-7 | Achterwiel assy DLM532/533   |
| 172 | 211236-8 | Kogellager 6002Ddw A         |
| 173 | 226941-4 | Tandwiel 49 DLM532/533       |
| 174 | 961052-5 | Borgring S-12                |
| 175 | 226940-6 | Tandwiel 12 DLM532/533       |
| 176 | 347586-6 | Tandwiel houderplt DLM532    |
| 177 | 266424-2 | Tapschroef 4X20 Tm3000C P    |
| 178 | 911213-7 | Schroef M5X12 A              |
| 179 | 459867-7 | Wielkap DLM532/533           |
| 180 | 911213-7 | Schroef M5X12 A              |
| 181 | 313369-6 | Achterashouder R DLM532      |
| 182 | 210163-6 | Kogellager 6001Ddw A         |
| 183 | 162691-6 | Achteras DLM462              |
| 184 | 922311-2 | Inusbout M6X12               |
| 185 | 162694-0 | Hoogteinstelling DLM532/533  |

| <b>Nr.</b> | <b>Part nr.</b> | <b>Name</b>                   |
|------------|-----------------|-------------------------------|
| 186        | 313369-6        | Achterashouder R DLM532       |
| 187        | 210163-6        | Kogellager 6001Ddw A          |
| 188        | 911213-7        | Schroef M5X12 A               |
| 189        | 459867-7        | Wielkap DLM532/533            |
| 190        | 911213-7        | Schroef M5X12 A               |
| 191        | 347586-6        | Tandwiel houderplt DLM532     |
| 192        | 226941-4        | Tandwiel 49 DLM532/533        |
| 193        | 226940-6        | Tandwiel 12 DLM532/533        |
| 194        | 961052-5        | Borgring S-12                 |
| 195        | 211236-8        | Kogellager 6002Ddw A          |
| 196        | 127513-7        | Achterwiel assy DLM532/533    |
| 197        | 211236-8        | Kogellager 6002Ddw A          |
| 198        | 265324-3        | Flensbout M8X12               |
| 199        | 266388-0        | Tapschroef 5X16 Uc30/35/4020A |
| 200        | 347585-8        | Hoogteinstelplt DLM532        |
| 201        | 922311-2        | Inusbout M6X12                |
| 202        | 127509-8        | Aandrijfunit DLM462           |
| 203        | 265324-3        | Flensbout M8X12               |
| 204        | 211236-8        | Kogellager 6002Ddw A          |
| 205        | 127514-5        | Voorwiel assy DLM532/533      |
| 206        | 211236-8        | Kogellager 6002Ddw A          |
| 207        | 162690-8        | Vooras DLM462                 |
| 208        | 211236-8        | Kogellager 6002Ddw A          |
| 209        | 127514-5        | Voorwiel assy DLM532/533      |
| 210        | 211236-8        | Kogellager 6002Ddw A          |
| 211        | 265324-3        | Flensbout M8X12               |
| 212        | 341462-6        | Asborgplaat Jr3000V           |
| 213        | 266424-2        | Tapschroef 4X20 Tm3000C P     |
| 214        | 266424-2        | Tapschroef 4X20 Tm3000C P     |
| 215        | 459875-8        | Afdekkap onder DLM462         |
| 216        | 266424-2        | Tapschroef 4X20 Tm3000C P     |
| 217        | 327879-7        | Grasvangzakbeugel             |